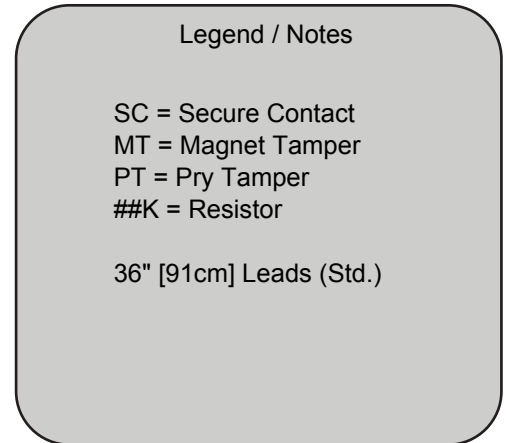
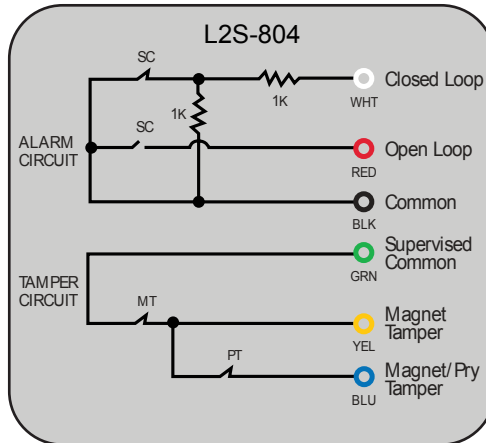
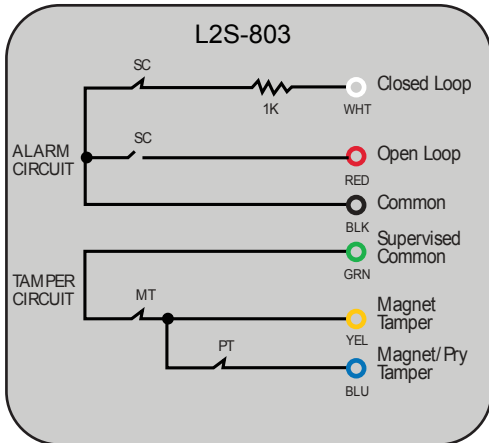
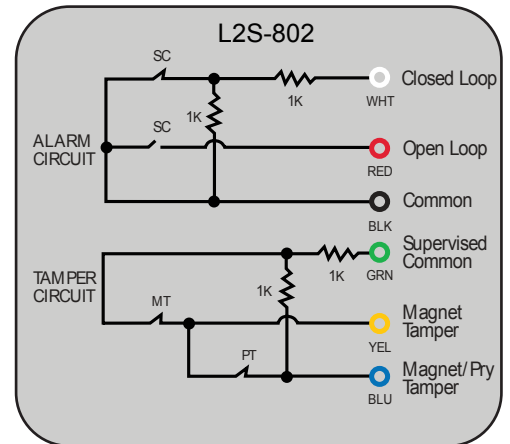
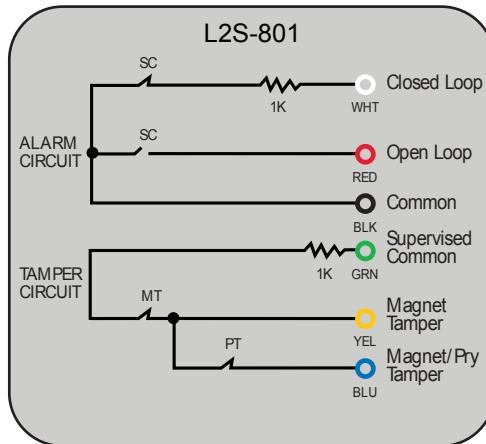
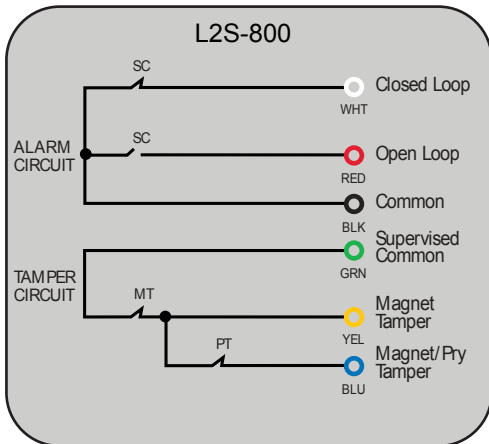


Model L2S-800 Series

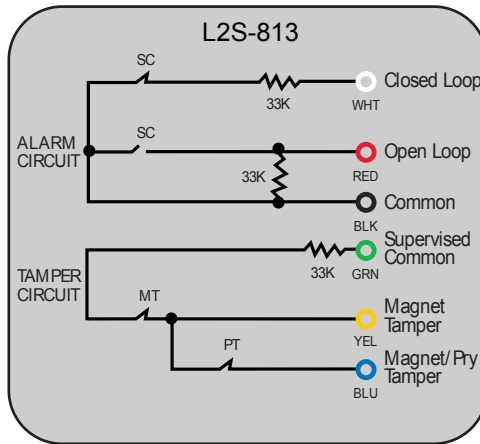
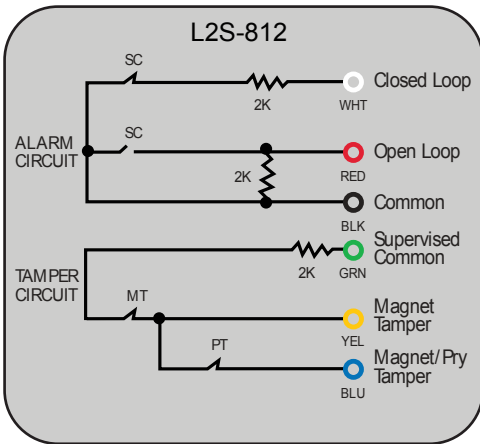
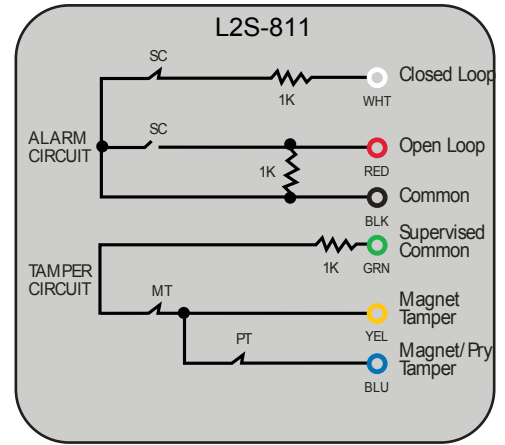
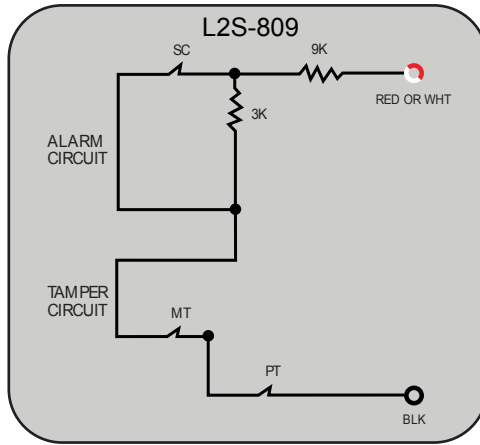
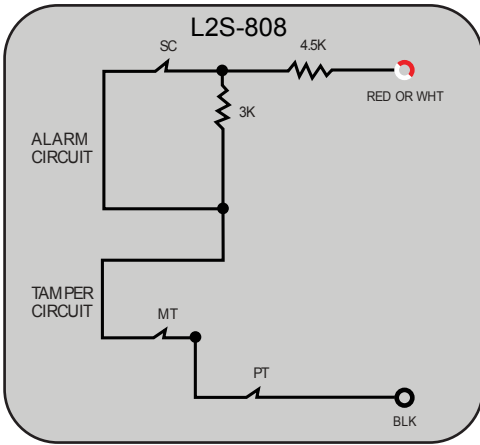
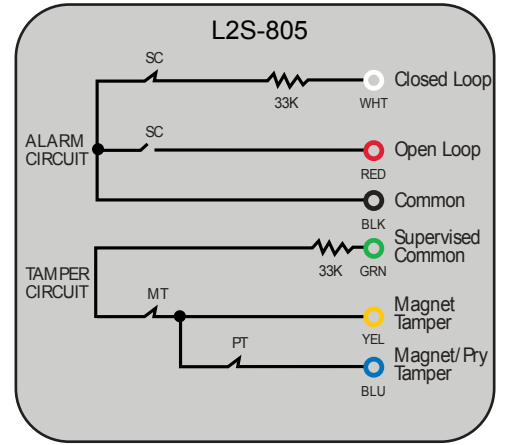
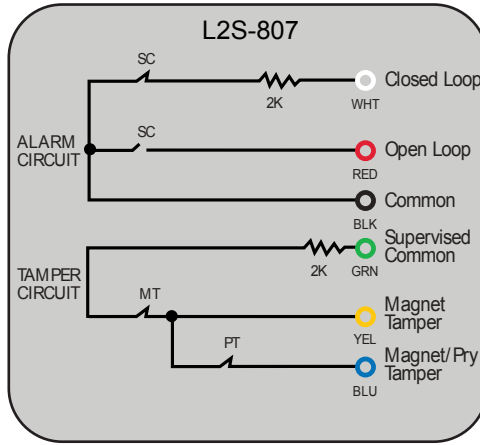
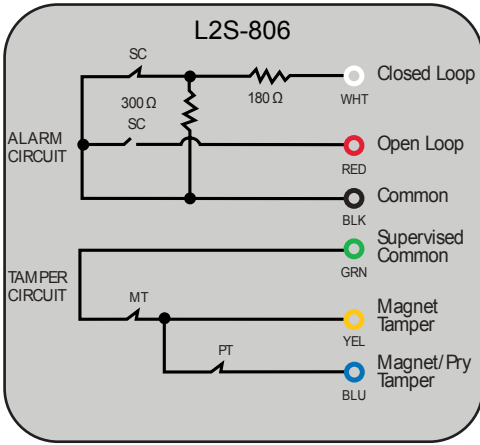
HSS PART NUMBERING SYSTEM L2S-XXX

Single Alarm Contact Either Closed or Open Loop, with Tamper Circuit, Closed Loop. All Circuits Shown with Magnet Actuator in Secure Position. For Built-in EOL Resistor Configurations and Values not Shown. Contact Magnasphere Corp.

Available in all L2D / L2S Schematic Variants



Available Part Numbers



Legend / Notes

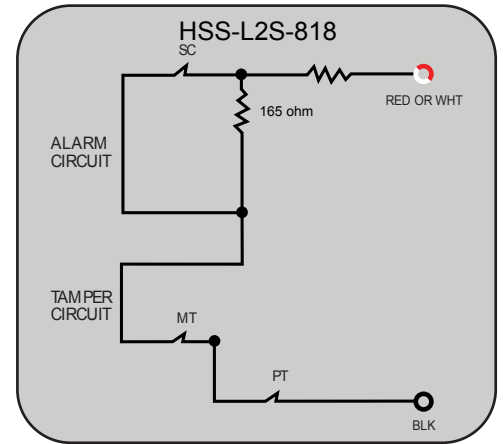
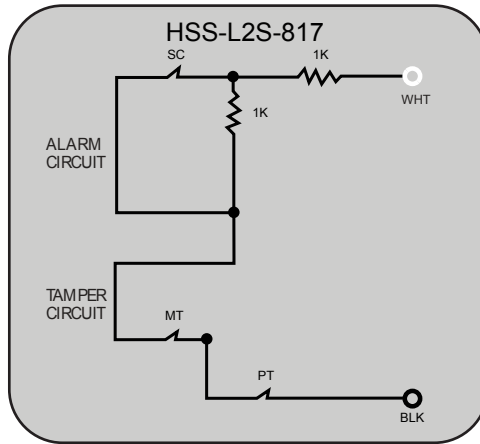
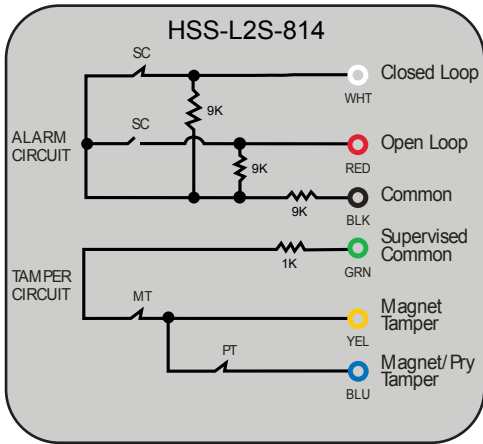
SC = Secure Contact
 MT = Magnet Tamper
 PT = Pry Tamper
 ##K = Resistor

36" [91cm] Leads (Std.)

Available Part Numbers

L2S-817
WE-1K-J1-LS-J2-MT-PT-BK:J1-1K-J2

L2S-818-RD/WE-0.383K-J1-LS-J2-
MT-PT-BK:J1-0.165K-J2



Legend

SC = Secure Contact
MT = Magnet Tamper
PT = Pry Tamper
##K= Resistor

36" [91cm] armored cable (Std.),
(See Page 41 for Custom
Cable Length)