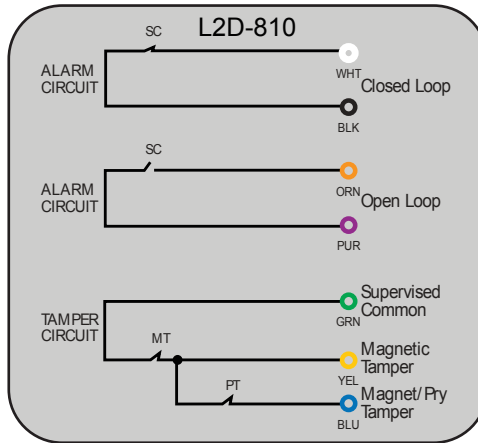
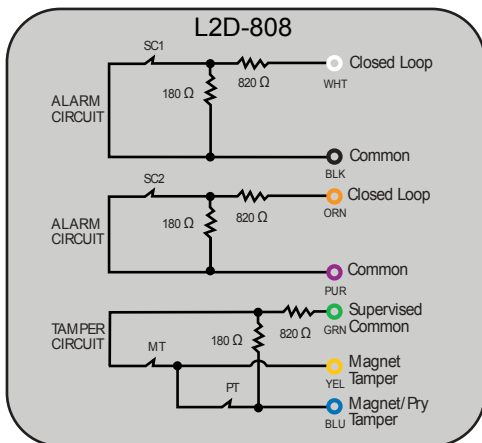
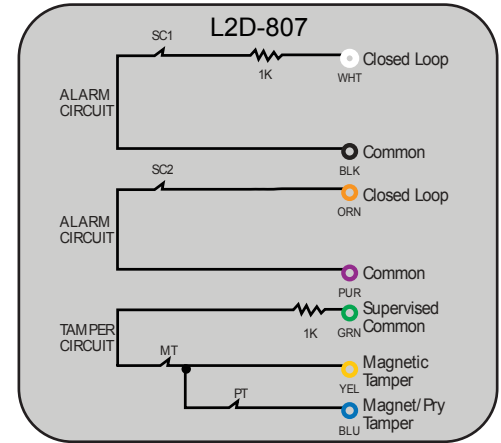
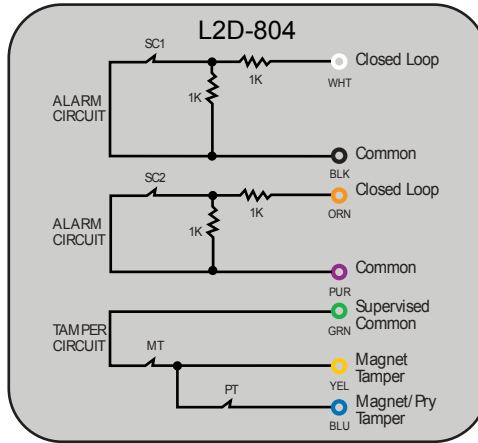
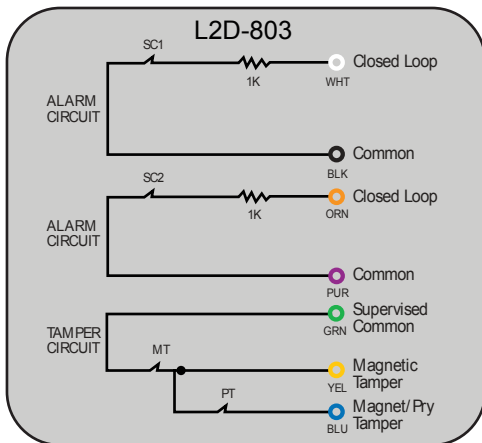
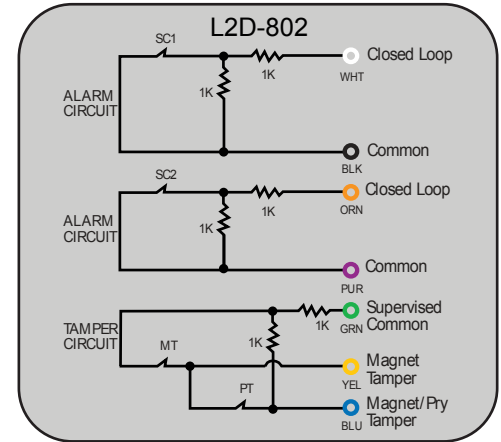
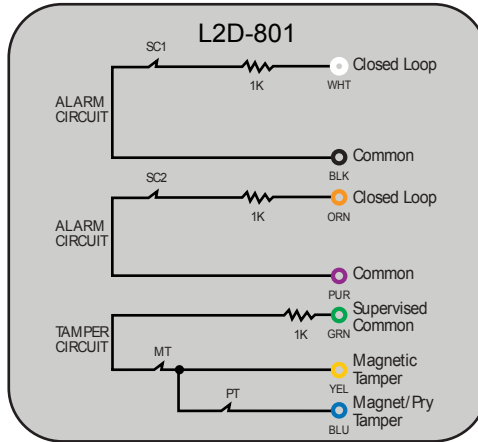
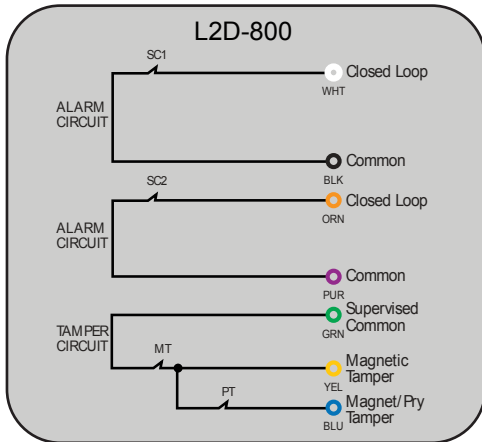


Model L2D-800 Series

HSS PART NUMBERING SYSTEM L2D-XXX

Dual Alarm Contacts Both Closed Loop, with Tamper Circuit, Closed Loop. All Circuits Shown with Magnet Actuator in Secure Position. For Built-in EOL Resistor Configurations and Values not Shown. Contact Magnasphere Corp.

Available Part Numbers



Legend / Notes

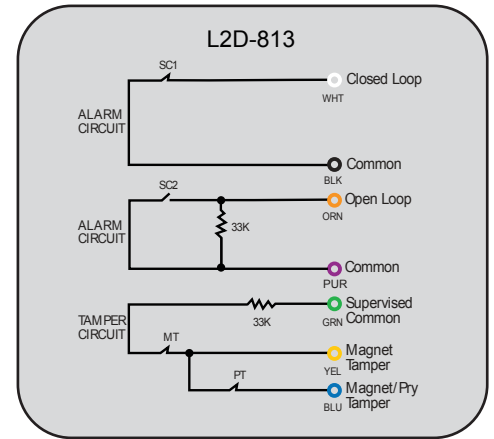
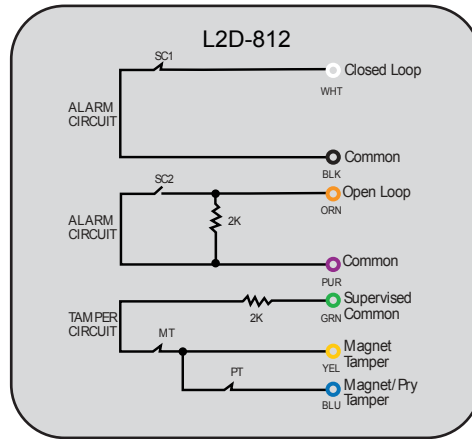
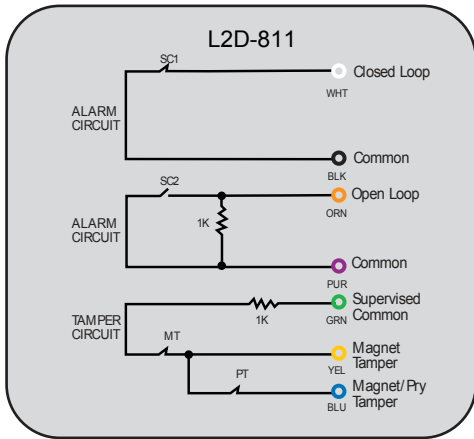
SC = Secure Contact
 MT = Magnet Tamper
 PT = Pry Tamper
 ##K = Resistor

36" [91cm] Leads (Std.)

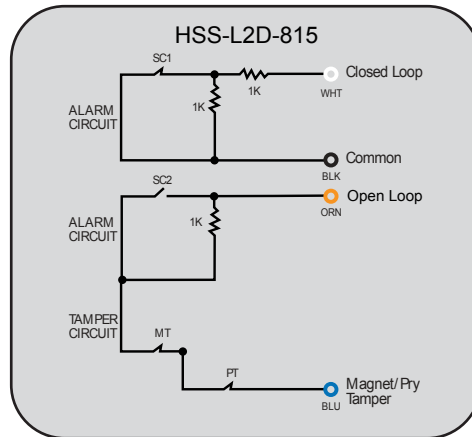
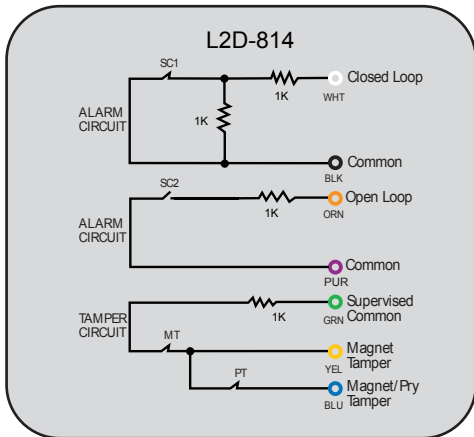
Magnasphere L2D-800 (Dual Alarm Contacts) Continued
 UL 634 Level 2 High Security Contacts (Surface Mount)

NOTE: CONTACT STATE SHOWN WITH TARGET MAGNET IN PLACE

Available Part Numbers



L2D-815
 WE-1K-J1-LS-J2-BK:J1-1K-J2:OE-
 J3-NS-J4-MT-PT-BE:J3-1K-J4



Legend / Notes

SC = Secure Contact
 MT = Magnet Tamper
 PT = Pry Tamper
 ##K = Resistor

36" [91cm] Leads (Std.)