

# Model L2 S Series

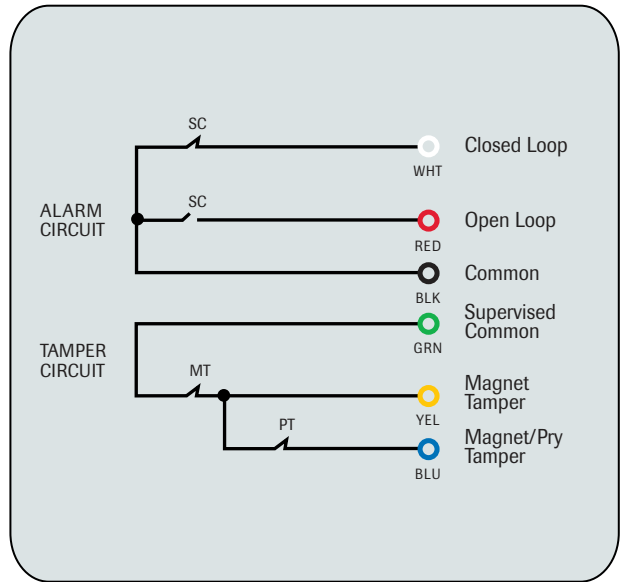
## HSS PART NUMBERING SYSTEM L2S-XXX

Single Alarm Contact Either Closed or Open Loop, with Tamper Circuit, Closed Loop.

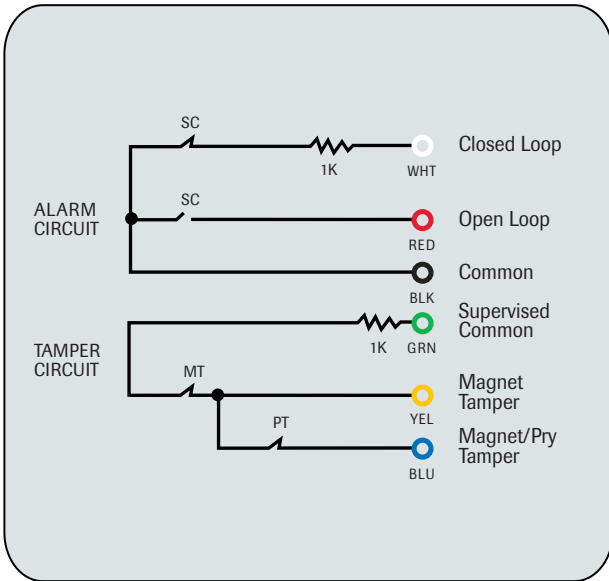
All Circuits Shown with Magnet Actuator in Secure Position.

For Built-in EOL Resistor Configurations and Values not Shown. Contact Magnasphere Corp.

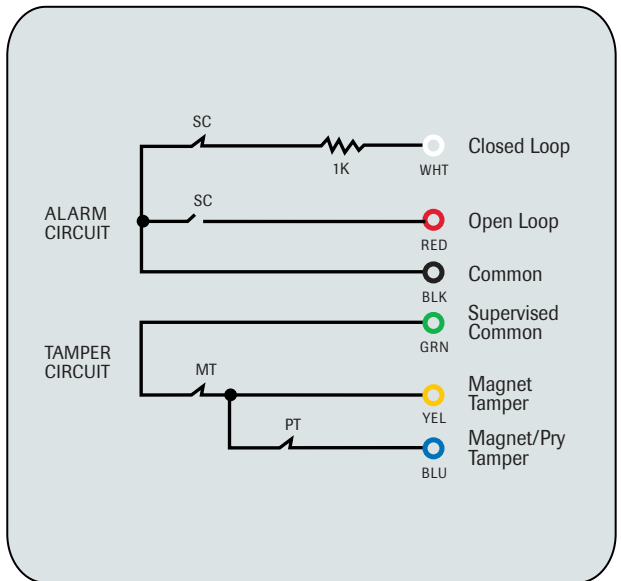
Model L2S-000



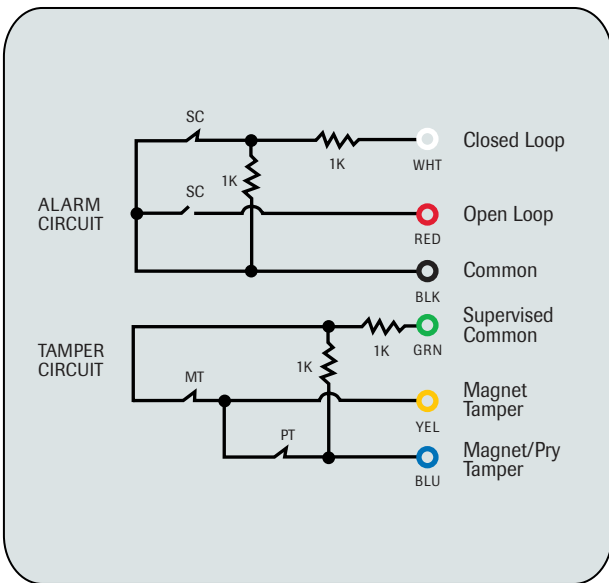
Model L2S-001



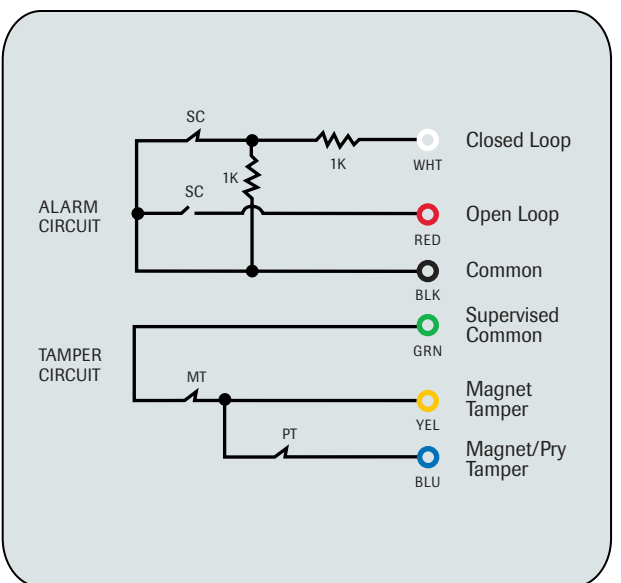
Model L2S-003



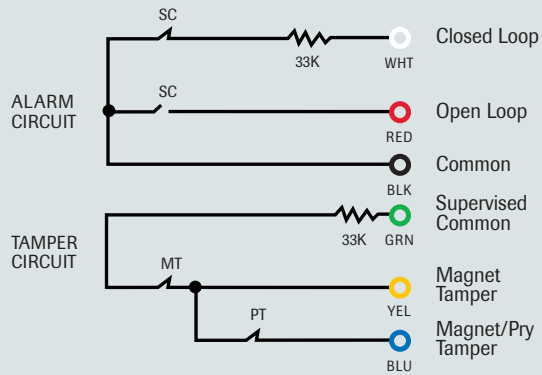
Model L2S-002



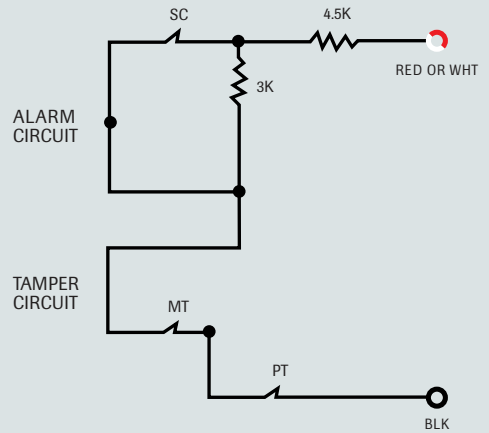
Model L2S-004



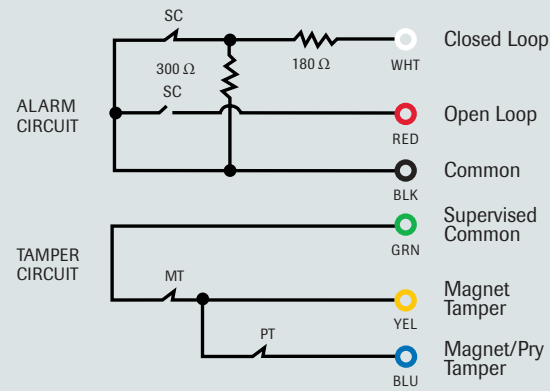
**Model L2S-005**



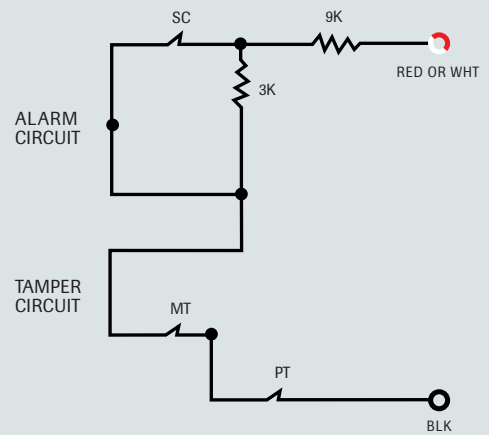
**Model L2S-008**



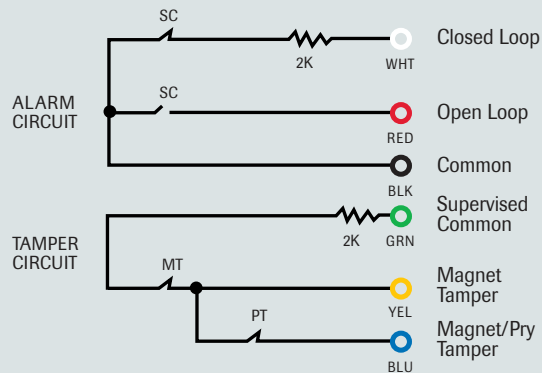
**Model L2S-006**



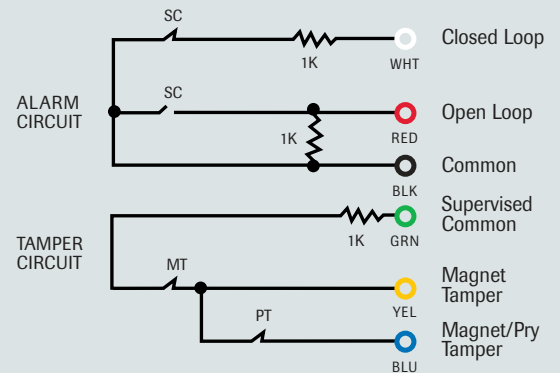
**Model L2S-009**



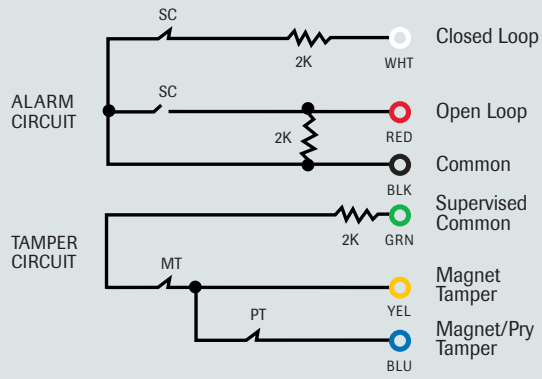
**Model L2S-007**



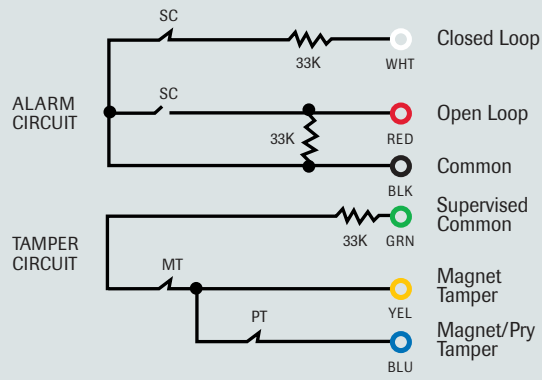
**Model L2S-011**



**Model L2S-012**



**Model L2S-013**



**Model L2S-014**

