



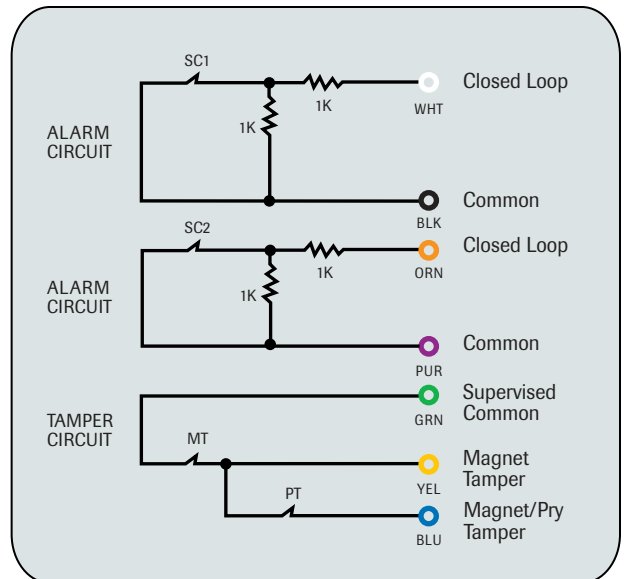
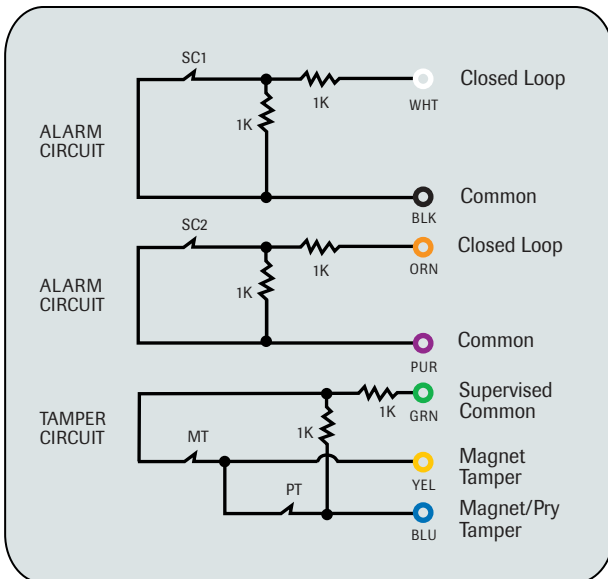
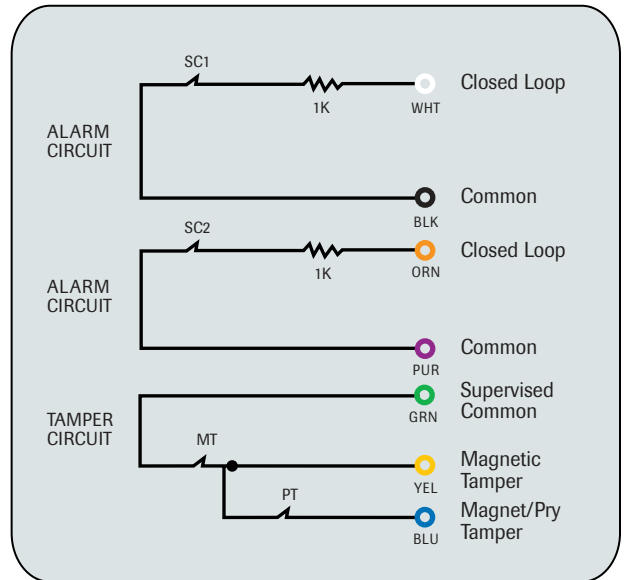
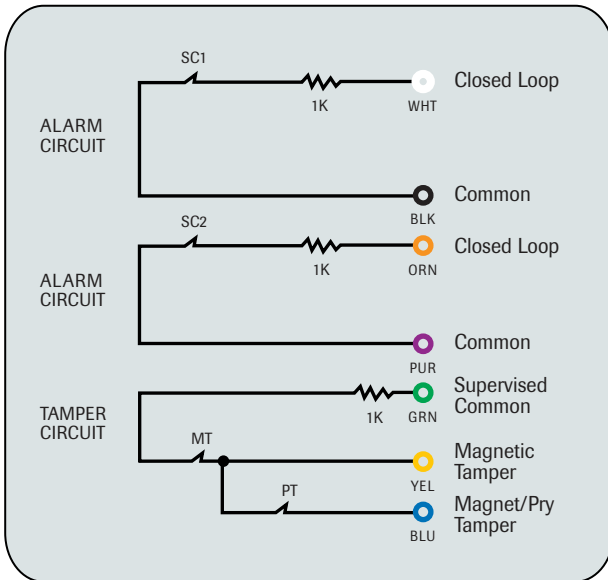
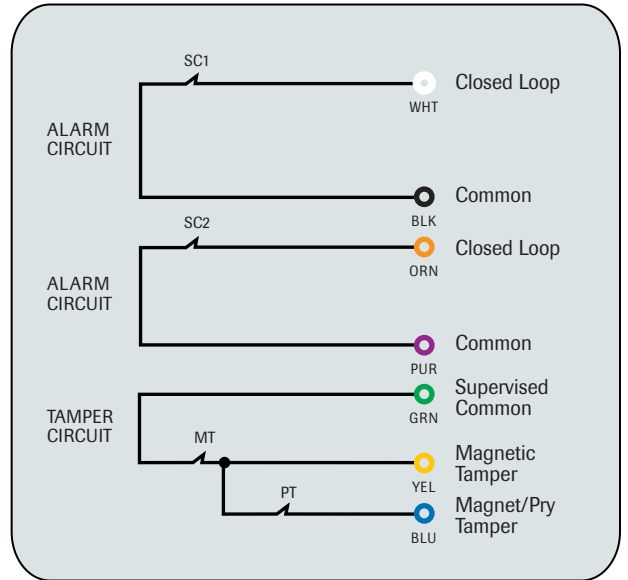
Model L2 D Series

HSS PART NUMBERING SYSTEM L2D-XXX

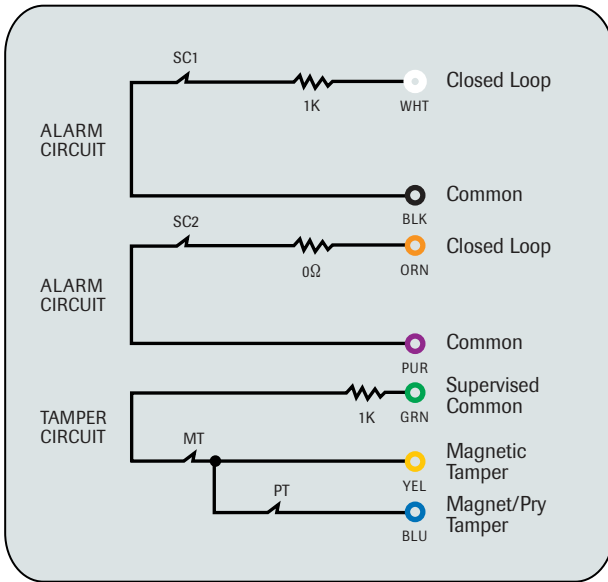
Dual Alarm Contacts Both Closed Loop, with Tamper Circuit, Closed Loop.

All Circuits Shown with Magnet Actuator in Secure Position.

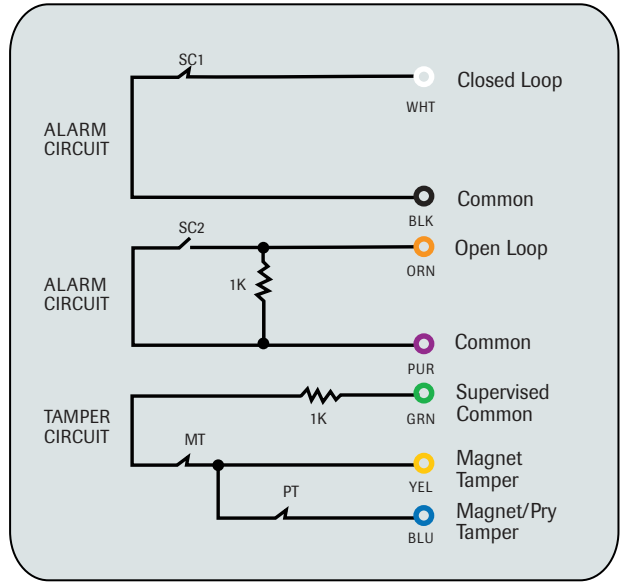
For Built-in EOL Resistor Configurations and Values not Shown. Contact Magnasphere Corp.



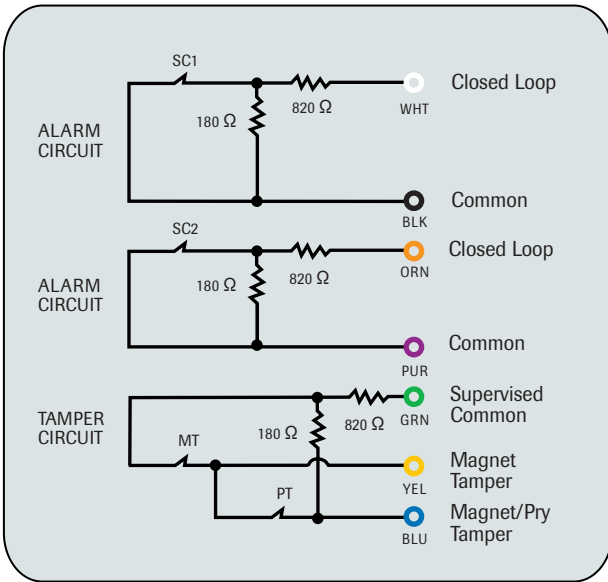
Model L2D-007



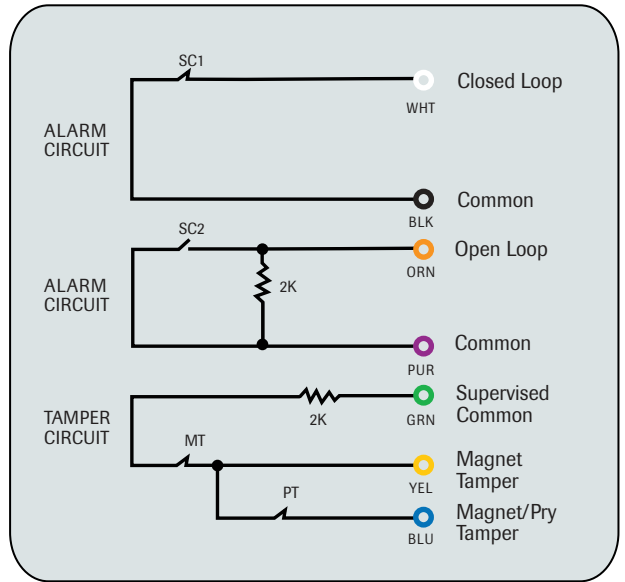
Model L2D-011



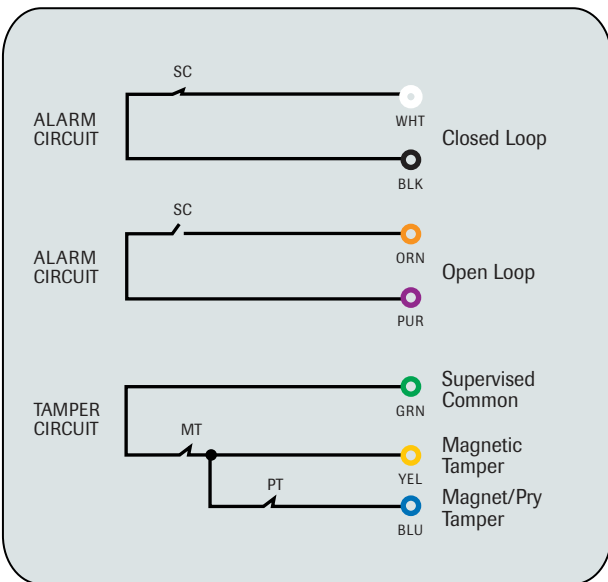
Model L2D-008



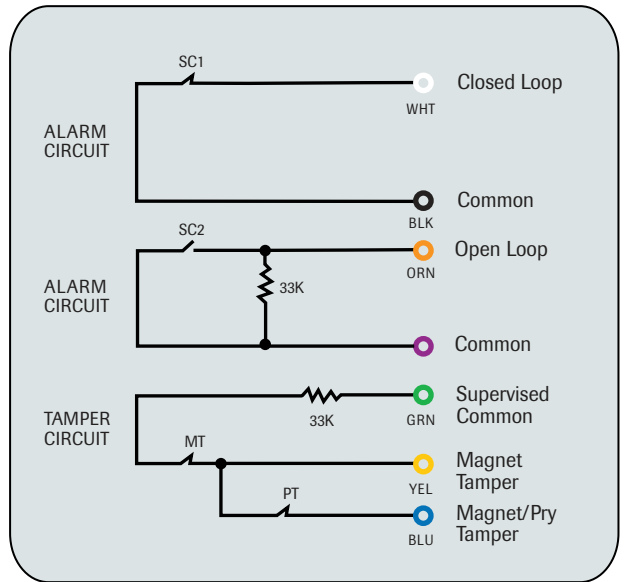
Model L2D-012



Model L2D-010



Model L2D-013



WE-1K-J1-LS-J2-BK-J1-1K-J2-0E-1K-
LS-PE:GN-1K-MT-J3-YW-J3-PT-BE

Model L2D-014

